

## KAWASAKI ZX-6R (09-12) / ZX-6R 636 (13-) STREET SPORTS SLIP-ON R-11 SINGLE EXIT

Be sure to read the instruction carefully before starting the work. It is necessary to follow the contents to install Yoshimura slip-on.

### 1. Product Information :

Description	Kawasaki ZX-6R (09-12) / ZX-6R 636 (13-)	Main Material	Stainless steel
	Street Sports Slip-on R-11 Single Exit		Stainless Sleeve (SSC) ; 170-264-5E50
Cyclone Type	KSP264S11C1	Part Number	Metal Magic Sleeve (SMC) ; 170-264-5E20
Weight [STD 5.0kg]	(SSC) & (SMC) ; 2.0kg		Titanium Sleeve (STC) ; 170-264-5E80
	(STC) & (STBC) ; 1.8kg		Titanium Blue Sleeve (STBC) ; 170-264-5E80B

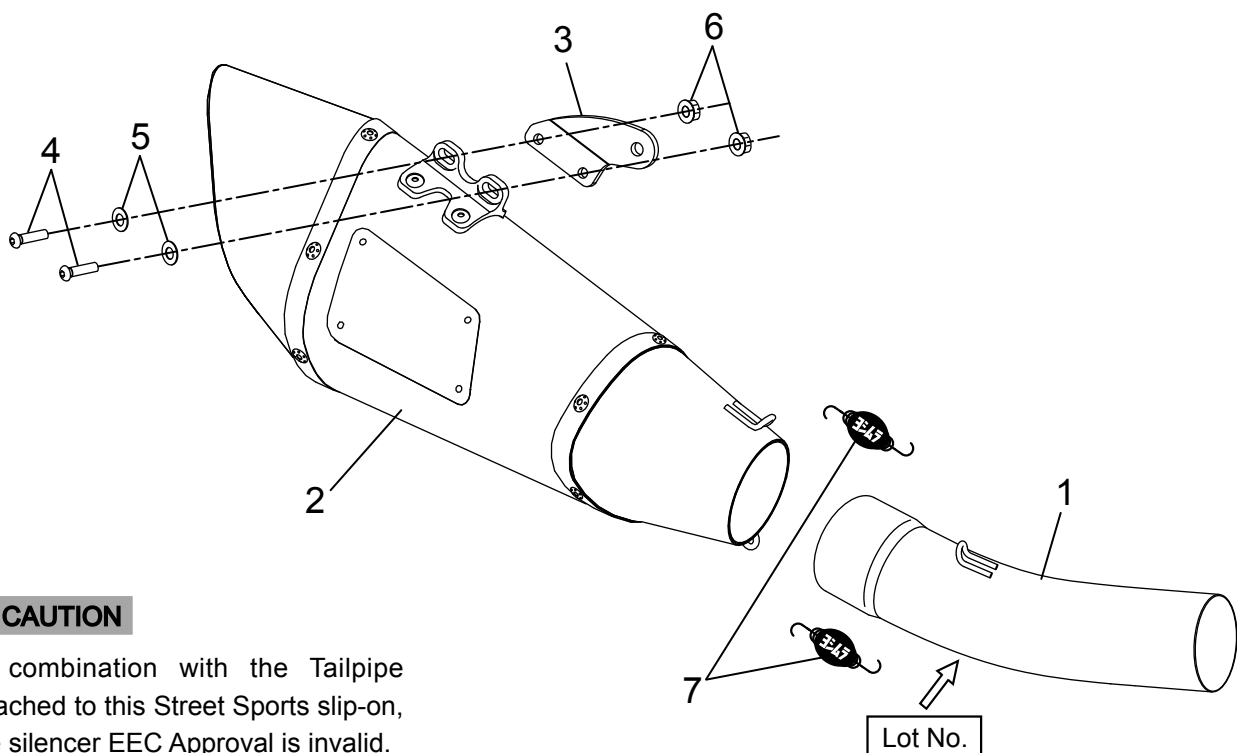
### 2. Applicable Model :

Model	Kawasaki ZX-6R (09-12) / ZX-6R 636 (13-)
Type of Engine	ZX600PE (09-12) / ZX636EE (13-)

### 3. Contents :

No.	Descriptions	Part No.	Q'ty	No.	Descriptions	Part No.	Q'ty
1	Tailpipe	115-264-5E00	1	3	Silencer Bracket	161-264-0200	1
2	Silencer Assy, (SSC)	1A6-264-5E50	1	4	Button Bolt M6x20	803-206-4020	2
	Silencer Assy, (SMC)	1A6-264-5E20		5	Washer M6	812-106-0000	2
	Silencer Assy, (STC)	1A6-264-5E80		6	Flange Nut M6	823-006-1000	2
	Silencer Assy, (STBC)	1A6-264-5E80B		7	Exhaust Spring	118-001-0000	2

### Parts Diagram



#### ⚠ CAUTION

In combination with the Tailpipe attached to this Street Sports slip-on, the silencer EEC Approval is invalid.