

KAWASAKI ZX-6R (09-12/13) STREET SPORTS FULL SYSTEM R-11 SINGLE EXIT NEO HYBRID

Be sure to read the instruction carefully before starting the work. It is necessary to follow the contents to install Yoshimura exhaust system.

1. Product Information:

Description	Kawasaki ZX-6R (09-12/13) Street Sports Full System R-11 Single Exit Neo Hybrid	Part Number	Stainless Sleeve (SS) ; 170-264-5F50
Cyclone Type	KR264S11C1		Metal Magic Sleeve (SM) ; 170-264-5F20
Applicable Model	Kawasaki ZX-6R (09-12/13)	Main Materials	Titanium Sleeve (ST) ; 170-264-5F80
Type of Engine	ZX600PE (09-13) / ZX636EE (13)		Titanium Blue Sleeve (STB) ; 170-264-5F80B
Noise Decibels	Without dB Killer ; 110dB / 7,000rpm dB Killer SD#74 ; 104dB / 7,000rpm	Weight	Stainless steel
		[STD weight : 11.7kg]	(SS) & (SM) ; 6.9kg (ST) & (STB) ; 6.7kg

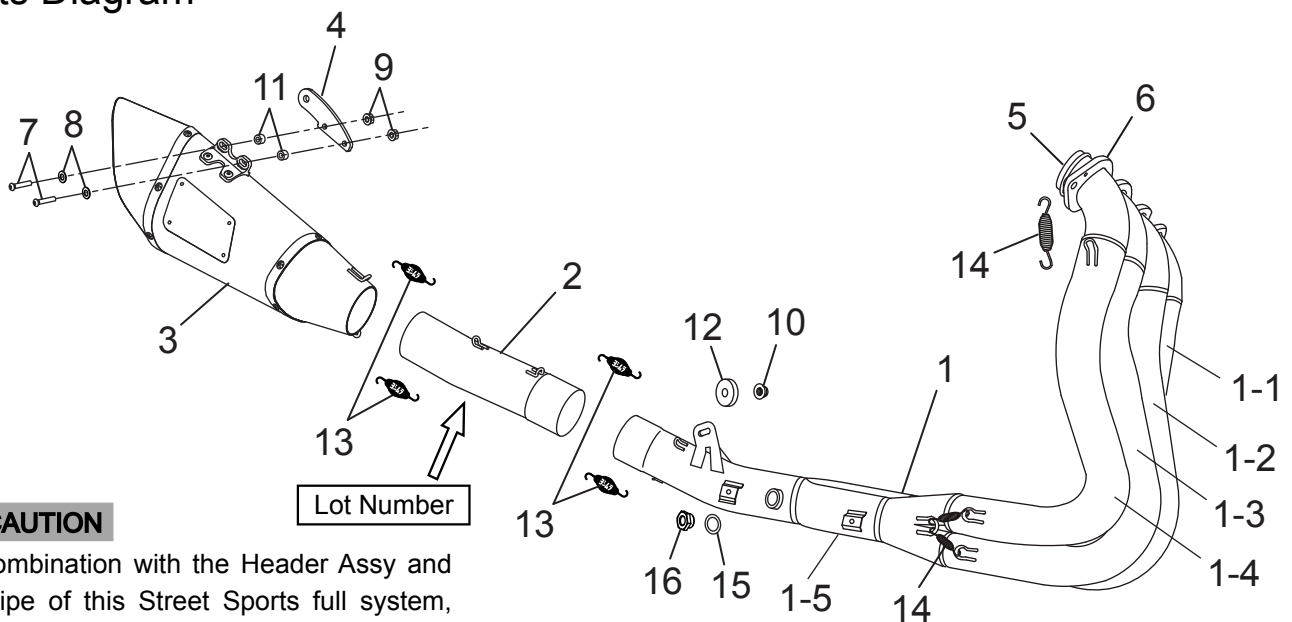
2. Required Parts / Optional Parts :

Heat Shield Bracket Set for 09-12 year model : 194-264-0010 (Required to install sock heat shield on 09-12 year models)
SD98 Set : 194-264-0020 (Optional dB Killer for FIM Regulation ; 107dB / 7,000rpm)

3. Contents:

No.	Descriptions	Part No.	Q'ty	No.	Descriptions	Part No.	Q'ty
1	Header Assy	1-1 Exhaust Pipe #1	143-264-5F00	1	6 Flange	117-039-0020	4
		1-2 Exhaust Pipe #2			7 Button Bolt M6x30	803-206-4030	2
		1-3 Exhaust Pipe #3			8 Washer M6	812-106-0000	2
		1-4 Exhaust Pipe #4			9 Flange Nut M6	823-006-1000	2
		1-5 Collector Joint			10 Flange Nut M10 P1.25	823-010-1250	1
2	Tailpipe	185-264-5F00	1	11 Aluminum Spacer 6-12-8	850-006-1208	2	
3	Silencer Assy, Stainless Sleeve	1A6-264-5F50	1	12 Aluminum Spacer 10-30-4	860-010-3004	1	
	Silencer Assy, Metal Magic Sleeve	1A6-264-5F20		13 Exhaust Spring (Short)	118-001-0000	4	
	Silencer Assy, Titanium Sleeve	1A6-264-5F80		14 Exhaust Spring (Long)	118-001-2000	8	
	Silencer Assy, Titanium Blue Sleeve	1A6-264-5F80B		15 Washer (Copper)	812-318-0000	1	
4	Silencer Bracket	161-264-0210	1	16 Sensor Boss Adapter	862-218-1210	1	
5	Connector Pipe	142-450-2400	4				

Parts Diagram



CAUTION

In combination with the Header Assy and Tailpipe of this Street Sports full system, the silencer EEC Approval is invalid.