

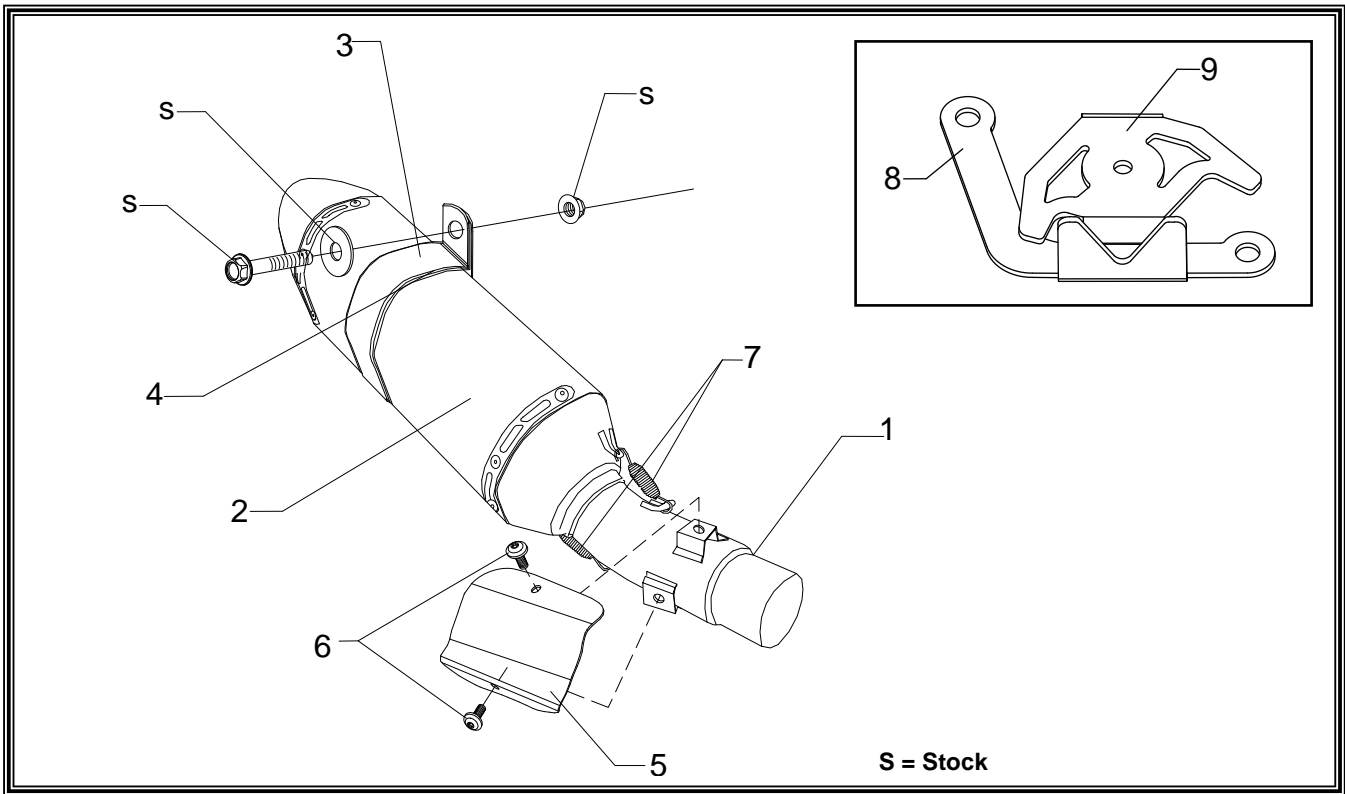


PERFORMANCE EXHAUST SYSTEM

APPLICATION

MAKE	MODEL
Kawasaki	ZX6R
PRODUCT	
1464120220	R77 SS Slip-On Exhaust with Carbon Fiber Sleeve; Carbon Fiber Endcap
1464120520	R77 SS Slip-On Exhaust with Stainless Steel Sleeve; Carbon Fiber Endcap

- This product is designed for use in closed course racing and is not intended for highway use. In the state of California, it is illegal to modify the emission control system, which includes the fuel injection of any vehicle.
- You must know how to remove and replace your stock exhaust in order to install this product otherwise have it installed by a professional mechanic. Keep all stock parts from your existing system as some components may be necessary to install your new Yoshimura exhaust depending on the application.
- Read through all instructions before beginning installation. Exhaust system can be extremely hot. Let motorcycle cool down before beginning installation. Always wear hand and eye protection and take precautionary measures to avoid injury.



No.	Part #	Description	Qty
1	1464-435	Yoshimura Tailpipe	1
2	CRR77F126W SRR77F126W	Yoshimura Muffler Carbon Fiber Sleeve; CF Endcap Stainless Steel Sleeve; CF Endcap	1
3	1121-MPCR 1121-MPCRX	Yoshimura Muffler Clamp Carbon Fiber Sleeve Stainless Steel Sleeve	1
4	HT SHLDR77	Muffler Clamp Heatshield	1
5	14641-R77HS	Yoshimura Heatshield	1
6	RC116HSB-BK	6mm x 8mm Flanged Button Head Screw	2
7	RACE-82MM	Exhaust Spring	2
8	1464-CKRBRKT	ZX6R Servo Motor Bracket	1
9	1462-CKRPLT	ZX6R Servo Motor Stopper Plate	1
**	INS-04-K	Low Volume Sound Insert	1
**	ST-200	Spring Puller Tool	1
**	17029	Yoshimura Sticker Sheet	1

3. Fitment check and Notes.

- a) Before starting motorcycle, check for proper clearance between new exhaust system and rear suspension (i.e. tire, swing-arm, brake, rear shock, engine, and etc.) If any problem is found, please carefully follow through the installation steps again. If problem still persists, please call Yoshimura Tech Department at (800) 634-9166 / in CA (909) 628-4722.**
- b) It is recommended that the muffler and tailpipe be wiped down with rubbing alcohol to remove oil and fingerprints. This will help prevent tarnishing of the finish after the exhaust is heated up.**
- c) NOTE: After starting motorcycle, it is normal for new exhaust system and muffler to emit smoke until oil residue burns off.**